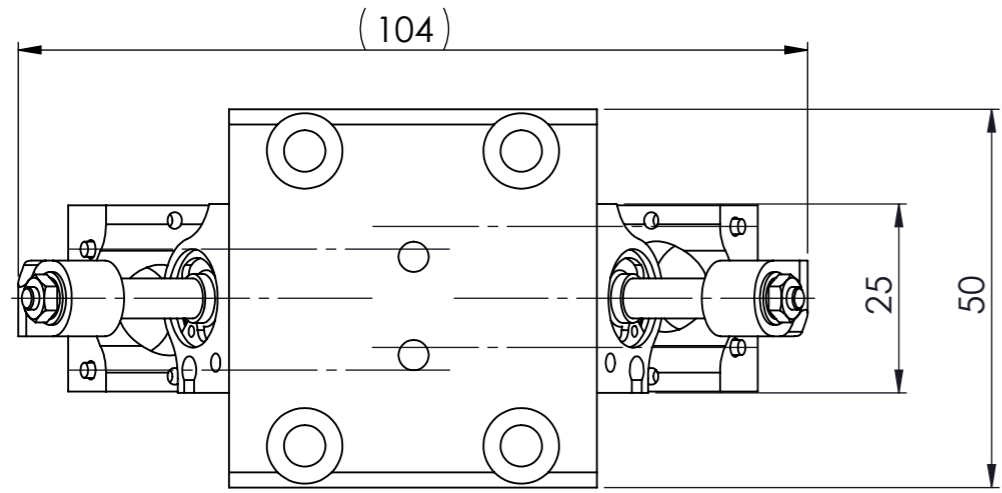
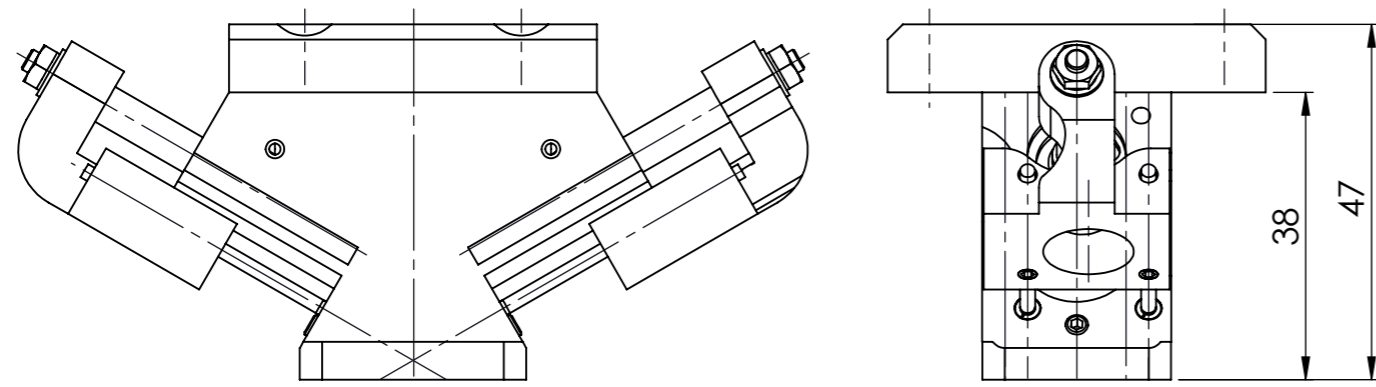
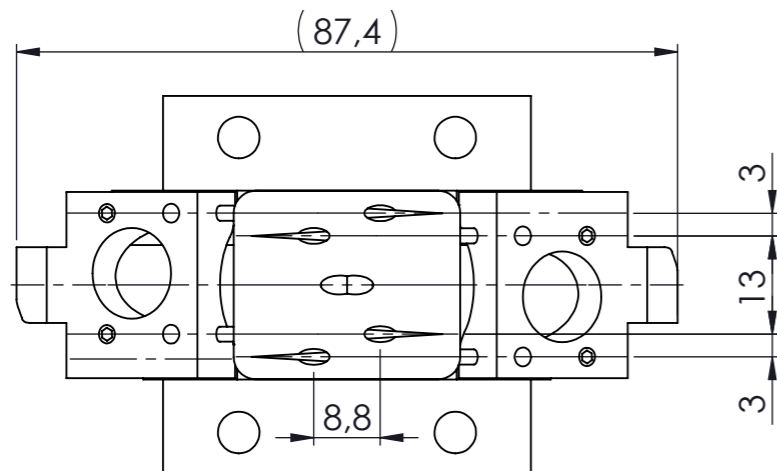
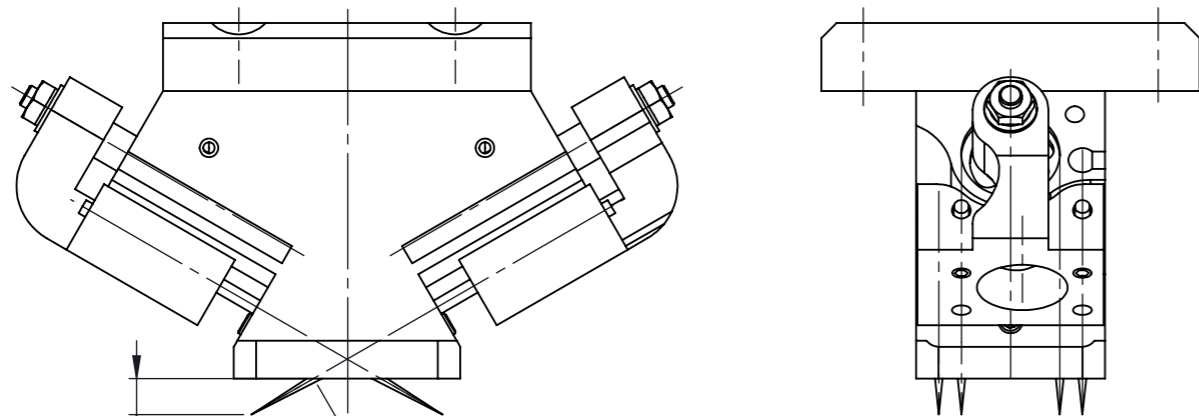


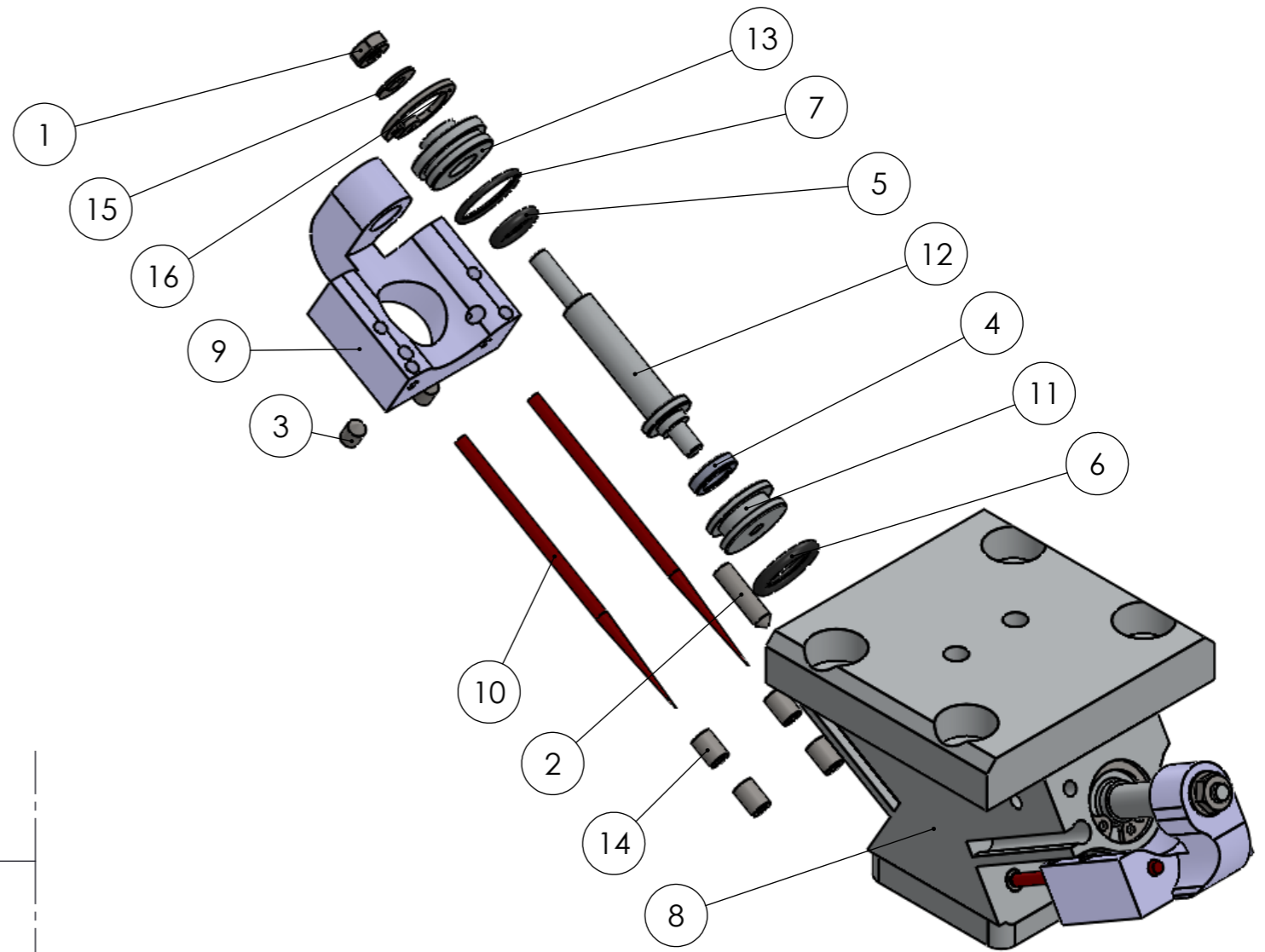
THE PROPERTY OF THIS DRAWING IS ESTABLISHED BY LAW
IT IS FORBIDDEN TO REPRODUCE IT OR SHOW IT TO THIRD PARTY
WITHOUT A WRITTEN AGREEMENT.



PINZA APERTA

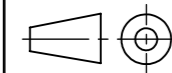


PINZA CHIUSA



Num. articolo	Num. parte	Qtà
1	D3	2
2	GR.TCE3X12	2
3	GR.TCE3X5	4
4	GRF14.95.10	2
5	OR 009	2
6	OR 611	2
7	ORM10.5X1	2
8	PAA.CP.01 Corpo Pinza	1
9	PAA.CP.02 Porta Ago	2
10	PAA.CP.03 Ago	4
11	PAA.CP.04 Pistone	2
12	PAA.CP.05 Stelo	2
13	PAA.CP.06 Tappo	2
14	PAP020305	8
15	R3	2
16	Seeger DIN 472 - 13 x 1	2

FP Services



DESIGNED FROM
FPSERVICES

DATE
06/08/15

WEIGHT
0.155 kg

GENERAL TOLERANCE
UNI - ISO 2768
CLASSE f

DESCRIPTION
PINZA AD AGHI CON PIASTRA

CODE
CA.PAA.CP

MODIFICATIONS: VARIED DIMENSIONS AS OF DATE:

7 8 9 10 11 12

MODIFICATIONS: VARIED DIMENSIONS AS OF DATE:

1 2 3 4 5 6

Format A3
UNI 936-76